

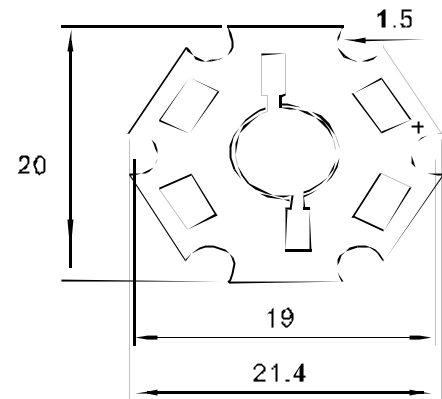
LED Component

High Power LED lamp

1W Star with Batwing type P/N	Chip		Lens Type	VF	Flux (lm) @350mA	Viewing Angle 201/2	Drawing
	Emitted Color	λ_p (nm) or CTT		Typ	Typ.		

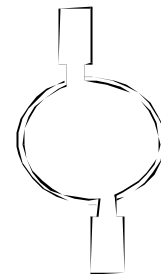
1W Star with Lambertian type

P/N	Color	λ_p (nm)	Lens Type	VF	Flux (lm)	Viewing Angle
BL-HP2CAUECL	Orange	630	Water Clear	2.2	27	20
BL-HP2CAUYCL	Yellow	580		2.2	25	
BL-HP2CAPGCL	Pure Green	525		3.2	25	
BL-HP2CAURCL	Blue	470		3.5	15	
BL-HP2CAUWCL	White	6000k		3.5	30	
BL-HP2CAUW2CL	Warm White	3200k		3.5	25	



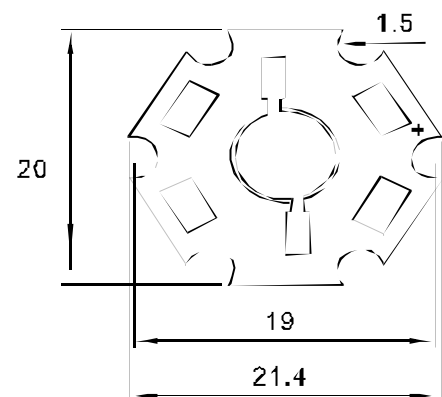
1W Lambertian Emitter

P/N	Color	λ_p (nm)	Lens Type	VF	Flux (lm)	Viewing Angle
BL-HP20EUECL	Orange	630	Water Clear	2.2	27	20
BL-HP20EUYCL	Yellow	580		2.2	25	
BL-HP20EPGCL	Pure Green	525		3.2	25	
BL-HP20EUBCL	Blue	470		3.5	15	
BL-HP20EUWCL	White	6000k		3.5	30	
BL-HP20EUW2CL	Warm White	3200k		3.5	25	



1W Star with Batwing type

P/N	Color	λ_p (nm)	Lens Type	VF	Flux (lm)	Viewing Angle
BL-HP2CAUFGB	Orange	630	Water Clear	2.2	25	30
BL-HP2CAUYCB	Yellow	580		2.2	23	
BL-HP2CAPGCB	Pure Green	525		3.2	23	
BL-HP2CAUBCB	Blue	470		3.5	13	
BL-HP2CAUWCB	White	6000k		3.5	26	
BL-HP2CAUW2CB	Warm White	3200k		3.5	23	



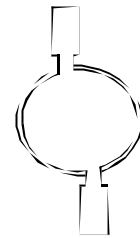
LED Component

High Power LED lamp

1W Star with Batwing type P/N	Chip		Lens Type	VF	Flux (lm) @350mA	Viewing Angle 2θ1/2	Drawing
	Emitted Color	λp (nm) or CTT		Typ	Typ.		

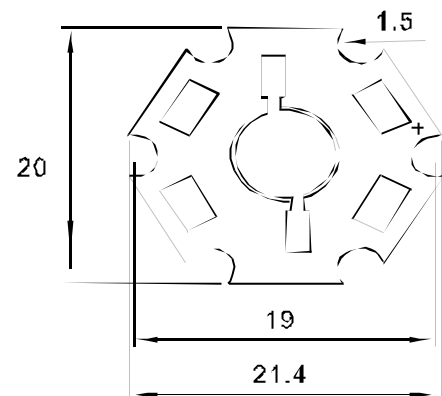
1W Batwing Emitter

P/N	Color	λp (nm)	Water / Clear	VF	Flux (lm)	Viewing Angle
BL-HP20EUECB	Orange	630	Water / Clear	2.2	25	80
BL-HP20EUYCB	Yellow	580		2.2	23	
BL-HP20EPGCB	Pure Green	525		3.2	23	
BL-HP20EURCB	Blue	470		3.5	13	
BL-HP20EUWCB	White	6000k		3.5	26	
BL-HP20EUW2CB	Warm White	3200k		3.5	23	



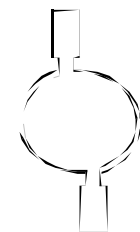
1W Star with Side emitting type

P/N	Color	λp (nm)	Water / Clear	VF	Flux (lm)	Viewing Angle
BL-HP20AUECS	Orange	630	Water / Clear	2.2	27	60
BL-HP20AUYS	Yellow	580		2.2	25	
BL-HP20APGCS	Pure Green	525		3.2	25	
BL-HP20AUBCS	Blue	470		3.5	15	
BL-HP20AUWCS	White	6000k		3.5	30	
BL-HP20AUW2CS	Warm White	3200k		3.5	25	



1W Side emitting Emitter

P/N	Color	λp (nm)	Water / Clear	VF	Flux (lm)	Viewing Angle
BL-HP20EUFCS	Orange	630	Water / Clear	2.2	27	60
BL-HP20EUYCS	Yellow	580		2.2	25	
BL-HP20EPGCS	Pure Green	525		3.2	25	
BL-HP20EUBCS	Blue	470		3.5	15	
BL-HP20EUWCS	White	6000k		3.5	30	
BL-HP20EUW2CS	Warm White	3200k		3.5	25	



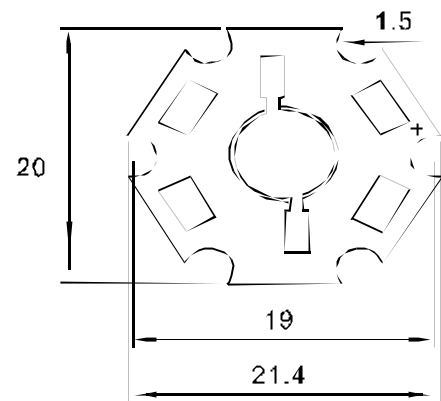
LED Component

High Power LED lamp

3W Star with Lambertian type P/N	Chip		Lens Type	VF	Flux (lm) @350mA	Viewing Angle 2θ1/2	Drawing
	Emitted Color	λp (nm) or CTT		Typ	Typ.		

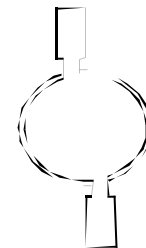
3W Star with Lambertian type

P/N	Emitted Color	λp (nm) or CTT	Lens Type	VF	Flux (lm) @350mA	Viewing Angle 2θ1/2
BL-HP20AUECL-3W	Orange	630	Water Clear	2.2	50	140
BL-HP20AUYCL-3W	Yellow	590		2.2	55	
BL-HP20APGCL-3W	Pure Green	525		3.2	55	
BL-HP20AU3CL-3W	Blue	470		3.5	20	
BL-HP20AUWCL-3W	White	6000ck		3.5	60	
BL-HP20AUW2CL-3W	Warm White	3200ck		3.5	45	



3W Lambertian Emitter

P/N	Emitted Color	λp (nm) or CTT	Lens Type	VF	Flux (lm) @350mA	Viewing Angle 2θ1/2
BL-HP20EUECL-3W	Orange	630	Water Clear	2.2	50	140
BL-HP20EUYCL-3W	Yellow	590		2.2	55	
BL-HP20EPGCL-3W	Pure Green	525		3.2	55	
BL-HP20EU3CL-3W	Blue	470		3.5	20	
BL-HP20EUWCL-3W	White	6000ck		3.5	60	
BL-HP20EUW2CL-3W	Warm White	3200ck		3.5	45	

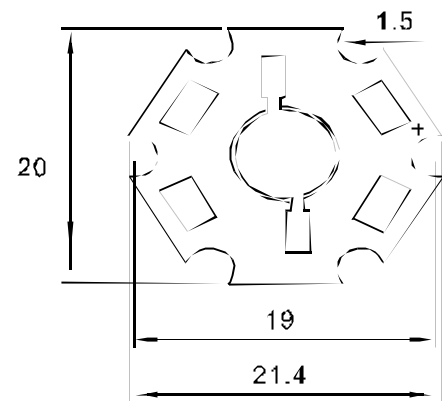


LED Component

High Power LED lamp							
5W Star with Lambertian type P/N	Chip		Lens Type	VF	Flux (lm) @350mA	Viewing Angle 2θ1/2	Drawing
	Emitted Color	λ P (nm) or CTT		Typ	Typ.		

5W Star with Lambertian type

P/N	Emitted Color	λ P (nm) or CTT	Lens Type	VF Typ	Flux (lm) @350mA Typ.	Viewing Angle 2θ1/2
BL-HP20AUECL-5W	Orange	630	Water Clear	68	160	140
BL-HP20AUYCL-5W	Yellow	590		68	170	
BL-HP20APGCL-5W	Pure Green	525		68	120	
BL-HP20AU3CL-5W	Blue	470		68	40	
BL-HP20AUWCL-5W	White	6000ck		68	110	
BL-HP20AUW2CL-5W	Warm White	3200ck		68	95	



5W Lambertian Emitter

P/N	Emitted Color	λ P (nm) or CTT	Lens Type	VF Typ	Flux (lm) @350mA Typ.	Viewing Angle 2θ1/2
BL-HP20EUECL-5W	Orange	630	Water Clear	68	160	140
BL-HP20EUYCL-5W	Yellow	590		68	170	
BL-HP20EPGCL-5W	Pure Green	525		68	120	
BL-HP20EU3CL-5W	Blue	470		68	40	
BL-HP20EUWCL-5W	White	6000ck		68	110	
BL-HP20EUW2CL-5W	Warm White	3200ck		68	95	

